



Specification

Note: This specification is subject to change without prior notice

АКТИВНЫЙ КОМПОНЕНТ ВАШЕГО БИЗНЕСА

Тел.: (495) 232-2522 • факс: (495) 234-0640 • info@prochip.ru • www.prochip.ru

SHARP

No.	LA1-06053
DATE	Sep. 15, 2006

TECHNICAL LITERATURE
FOR
TFT - LCD module

MODEL No. L Q 0 5 7 V 3 D G 0 1

These parts have corresponded with the RoHS directive.

The technical literature is subject to change without notice.
So, please contact Sharp or its representative before designing your product
based on this literature.

ENGINEERING DEPARTMENT I
MOBILE LCD DESIGN CENTER
MOBILE LIQUID CRYSTAL DISPLAY GROUP I
SHARP CORPORATION

1. Applicable TFT-LCD module

This specification applies to the color TFT-LCD module, LQ057V3DG01.

2. Overview

This module is a color active matrix transmissive LCD module incorporating amorphous silicon TFT (Thin Film Transistor).

It is composed of a color TFT-LCD panel, driver ICs, control circuits and power supply circuitry and a backlight unit. Graphics and texts can be displayed on a 640 x RGB x 480 dots panel with 262,144 colors by feeding 18 bit data signal (6bit/each of R,G,B), 4(four) timing signals, +3.3V DC power supply for TFT-LCD and AC power supply for backlight.

(Note: Backlight-driving DC/AC inverter is not built in this module.)

- Fine images with stripe aligned 307,200 pixels on 5.7 inch diagonal screen
- Color display capability of 262,144 colors with 18 bit data signal(6 bits for each RGB)
- Adapting a wide viewing angle technology [best viewing angle: 12 o'clock direction]
- High contrast, thanks to active matrix drive system
- AG(Anti Glare) polarizing filter
- Light and slim compact module achieved by COG assemble technology(6 o'clock direction is also available by the function to flip the screen horizontally and vertically)
- Natural coloring reproducibility by employing normally-white-mode, which has good nature in coloring
- Image inversion both horizontally and vertically

3. Mechanical Specifications

items	specifications	unit
Display size (Diagonal)	14.4 (5.7")	cm
Active display area	115.2 (H) x 86.4 (V)	mm
Pixel format	640(H) x RGB x 480(V)	dot
	(1 pixel=R+G+B dots)	-
Pixel pitch	0.18 (H) x 0.18(V)	mm
Pixel configuration	R,G,B vertical stripe	-
LCD mode	Normally white	-
Dimension *	144.0 (W) x 104.6 (H) x 12.3(D)	mm

*. Protrusion such as backlight harness and positioning boss are not included.

Fig.1 shows dimensions of the module.(TBD)

4. Input Signal Assignment

4.1 TFT-LCD Panel driving section

connector: FH12 series (HIROSE ELECTRIC) or 9631 series(IRISO)

Pin No.	Symbol	Function	Polarity
1	GND	ground	
2	CK	Clock signal for sampling each data signal	
3	Hsync	Horizontal synchronous signal	
4	Vsync	Vertical synchronous signal	
5	GND	ground	
6	R0	RED data signal(LSB)	
7	R1	RED data signal	
8	R2	RED data signal	
9	R3	RED data signal	
10	R4	RED data signal	
11	R5	RED data signal(MSB)	
12	GND	ground	
13	G0	GREEN data signal(LSB)	
14	G1	GREEN data signal	
15	G2	GREEN data signal	
16	G3	GREEN data signal	
17	G4	GREEN data signal	
18	G5	GREEN data signal(MSB)	
19	GND	ground	
20	B0	BLUE data signal(LSB)	
21	B1	BLUE data signal	
22	B2	BLUE data signal	
23	B3	BLUE data signal	
24	B4	BLUE data signal	
25	B5	BLUE data signal(MSB)	
26	GND	Ground	
27	ENAB	Signal to settle the horizontal display position	【Note 1】
28	Vcc	+3.3V power supply	
29	Vcc	+3.3V power supply	
30	REV	Selection signal for horizontal/ vertical scanning direction	【Note 2】
31	GND	ground	
32	DISP	ON/OFF control signal input	
33	GND	ground	

The back shield case is internally grounded to GND of the module.

The front shield case is not certainly grounded to GND of the module.

【Note 1】

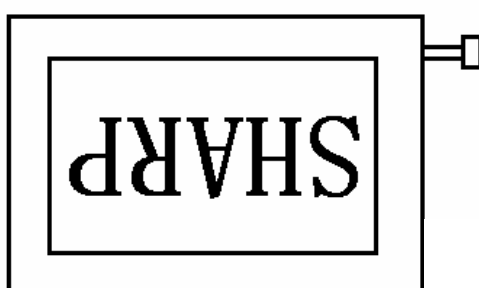
The horizontal display location is designated and controlled by rising timing of ENAB signal. However if ENAB signal is fixed to “Low”, display location is designated by the default setting in the module.

(Don't use the module by fixing ENAB to “High”)See: Chapter 7-2

【Note 2】



(Reverse= Low)



(Reverse= High)

4.2 Backlight section

Employed connector: BHR-02(8.0)VS-1N (JST)

CN2

Adapted connector: SM02(8.0)B-BHS-1N-TB (JST)

Pin no.	Symbol	Function
1	V _{LOW}	input terminal (Hi Voltage Side)
2	NC	Non connection
3	V _{HIGH}	input terminal (Low Voltage Side)

5. Absolute Maximum Ratings

Parameter	Symbol	Condition	Ratings	Unit	Remark
Input voltage	V _I	T _a =25°C	-0.3 ~ +6	V	【Note 1】
Supply voltage	V _{CC}	T _a =25°C	0 ~ +4	V	-
Storage temperature	T _{stg}	-	-30 ~ +80	°C	【Note 2】
Operating temperature (Panel surface)	T _{opp}	-	-30 ~ +80	°C	

【Note 1】 CK, R0 ~ R5, G0 ~ G5, B0 ~ B5, Hsync, Vsync, ENAB, REV

【Note 2】 Humidity: Less than 95%RH at T_a ≤ 40°C and

Maximum wet-bulb temperature must not exceed 39°C at T_a > 40°C,
with no condensation.

6. Electrical characteristics

6-1 TFT-LCD Panel driving section

Ta=25°C

Parameter	Symbol	Min	Typ	Max	Unit	Remarks
Supply voltage	Vcc	+3.0	+3.3	+3.6	V	【Note1】
Current dissipation	Icc	—	TBD	TBD	mA	【Note2】】 Vcc=3.3V
Allowed input ripple voltage	VRF	—	—	100	mV p-p	
Input voltage (“Low” state)	VIL	-0.3	—	0.9	V	【Note3】
Input voltage (“High” state)	VIH	2.3	—	5.5	V	
Input leakage current (low)	IOL1 【Note4】	—	—	TBD	μA	Vcc=3.3V VI=0V
	IOL2 【Note5】	—	—	TBD	μA	Vcc=3.3V VI=0V
	IOL3 【Note6】	—	—	TBD	μA	Vcc=3.3V VI=0V
	IOL4 【Note7】	—	—	TBD	μA	Vcc=3.3V VI=0V
Input leakage current (High)	IOH1 【Note4】	—	—	TBD	μA	Vcc=3.3V VI=3.3V
	IOH2 【Note5】	—	—	TBD	μA	Vcc=3.3V VI=3.3V
	IOH3 【Note6】	—	—	TBD	μA	Vcc=3.3V VI=3.3V
	IOH3 【Note7】	—	—	TBD	μA	Vcc=3.3V VI=3.3V

【Note1】 Vcc turn-on/off conditions

$$0 < t1 \leq 15\text{ms}$$

$$0 < t2 \leq 20\text{ms}$$

$$0 < t3 \leq 1\text{s}$$

$$1\text{s} < t4$$

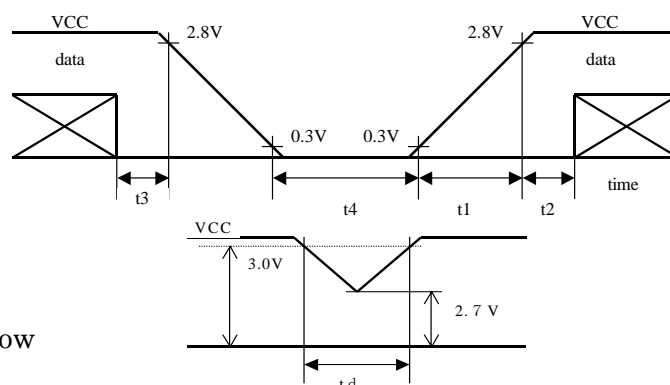
Vcc-dip conditions

1) At $2.7\text{V} \leq V_{cc} < 3.0\text{V}$

$$t_d \leq 10\text{ms}$$

2) At $V_{cc} < 2.7\text{V}$

Vcc dip conditions should also follow the Vcc turn-on/off conditions



【Note2】 TBD

【Note3】 CK, R0~R5, G0~G5, B0~B5, Hsync, Vsync, ENAB, REV, and DISP

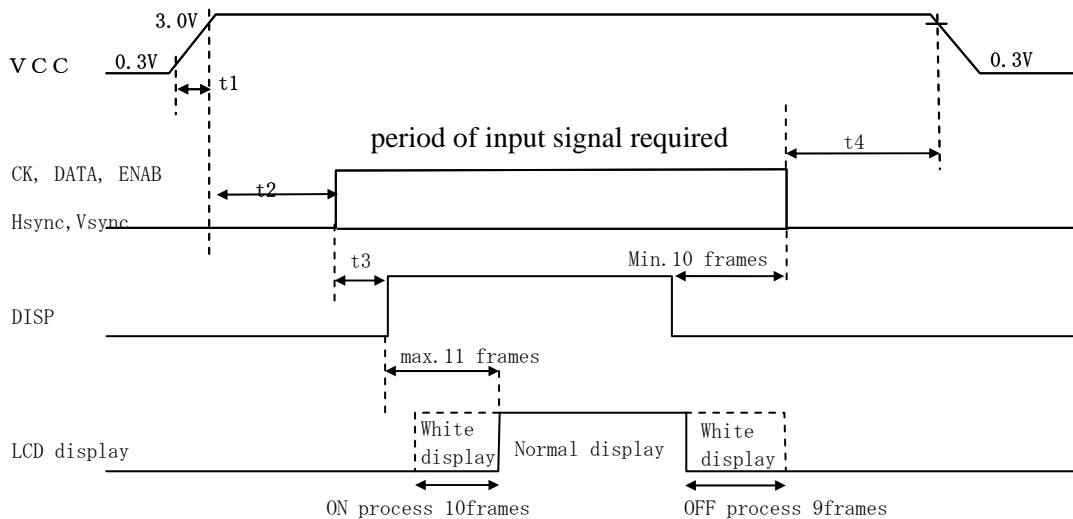
【Note4】 R0~R5, G0~G5, B0~B5, Hsync, and Vsync

【Note5】 ENAB

【Note6】 REV

【Note7】 CK

6-2 Input signal sequence



- Booting up power supply for TFT and initializing it will start after DISP="H" level and max. 11 frames (about 0.2 second) is required.

Thus the delay time of normal display is 11 frames. And at the end of display, make sure to continue to input signals and +3.3V power at least for 10 frames after setting DISP="L" level.

- Almost all control signal terminals except Test3 (No. 6th pin) are C-MOS gate input.

Those terminals except Test3 must not be open after supplying Vcc.

- When Vcc = GND, don't set DISP="H" level.
- Before setting DISP="H" level, make sure to provide CK, Hsync, Vsync, ENAB and DATA which have regular amplitude and frequency.

	MIN	TYP	MAX	unit
t1	0		10	ms
t2	50			ms
t3	0			ms
t4	(50)			ms

6.3 Backlight driving Section

Ta=25°C

Parameter	Symbol	Min.	Typ.	Max.	Unit	Remarks
Lamp voltage	VL	(585)	—	(715)	V rms	IL=5mA _{rms}
Lamp current	IL	(4.5)	(5.0)	(5.5)	mA rms	5mA _{rms} ×2【Note6-1】
lamp power	WL	—	TBD	—	W	ratings
Lamp frequency	fL	30	—	60	KHz	Recommend
Kick-off voltage 【Note6-1】	VS	—	—	(1010)	V rms	Ta= 25°C
		—	—	TBD		Ta= -10°C
Lamp life time	LL	—	50,000	—	hour	【Note6-2】

(Inverter : HIU-288 [Output condenser : 22pF] TOSHIBA HARISON LIGHTING co. Ltd.)

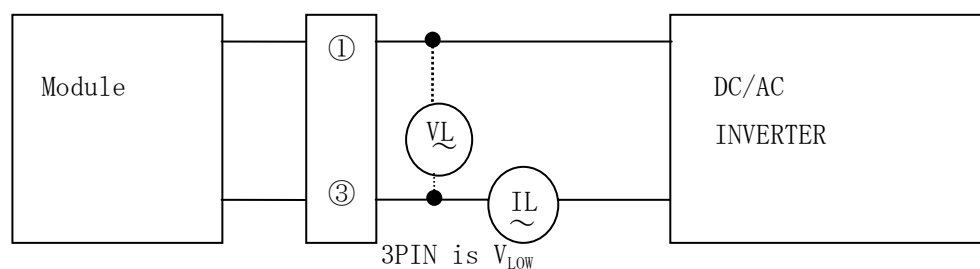
【Caution】

Use the inverter providing symmetrical sine-wave in positive/negative polarity with no spike.
A shield(module's metal shield) should be connected to GND of inverter circuit.

【Note6-1】 Connect Module's metal shield case to GND of inverter circuit.

A piece of lamp current is 5mA_{rms}.

Lamp current is measured with current meter for high frequency as shown below.



【Note6-2】 The data for lamp is for your reference, because lamp is consumable component.

a) Lamp life time is defined by either 1 or 2 below. (Continuous turning on at Ta=25°C, IL=5mA_{rms})

- ① When a brightness of lamp surface became 50% of the initial value under the standard condition.
- ② When a kick-off voltage in Ta= -10°C exceeded maximum value (TBD Vrms) at the output of inverter circuitry

b) In case of operating under lower temp. environment, the lamp exhaustion is accelerated and the brightness becomes lower.

(Continuous operating for around 1 month under lower temp. condition may reduce the brightness to half of the original brightness.)

In case of such usage under lower temp. environment, periodical lamp exchange is recommended

7. Timing Characteristics of Input Signals

Timing diagrams of input signal are shown in Fig.2.

7.1 Timing Characteristics

Parameter		Symbol	Min.	Typ.	Max.	Unit
Clock	Frequency	1/Tc	—	25.2	27.8	MHz
	“High” time	Tch	18	—	-	ns
	“Low” time	Tcl	18	—	—	ns
Data	Setup time	Tds	5	—	—	ns
	Hold time	Tdh	5	—	—	ns
Hsync	Period	TH	30.00	31.78		μs
			770	800	900	clock
	Pulse width	THp	2	96	200	clock
Vsync	Period	TV	515	525	560	line
	Pulse width	TVp	1	—	34	line
Horizontal display period		THd	640	640	640	clock
Phase difference between Hsync and clock		THc	$(Tc/2) - 10$	—	$(Tc/2) + 10$	ns
Phase difference between Hsync and Vsync		TVh	-2	—	2	clock
Vertical display period		TVd	480	480	480	line

Note) In case of lower frequency, the deterioration of display quality, flicker etc., may occur.

7.2 Display Position in horizontal direction

Display position in horizontal direction is designated by rising timing of ENAB signal.

Parameter		Symbol	MIN	TYP	MAX	Unit	Note
ENAB signal	Setup time	Tes	7	—	$(Tc/2) - 5$	ns	
	Pulse width	Tep	2	640	640	clock	
Phase difference between Hsync and ENAB signal		THE	44	—	TH - 664	clock	

When ENAB is fixed to “Low”, the horizontal display will start from the clock C100 (clock) as shown in Fig.2. When the phase difference is not greater than 100 clock, hold ENAB terminal in “High” state for more than $(100 - THE)$, otherwise display will start from C100 (clock).

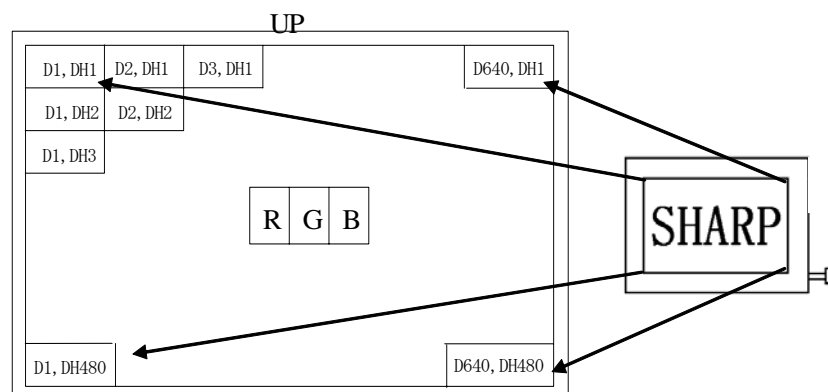
7.3 Display position in vertical direction

Display start position in vertical direction is fixed to the 34th line.

The ENAB signal does not relate to Vertical display position.

7.4 Input signal and display on the screen

Display position of input data



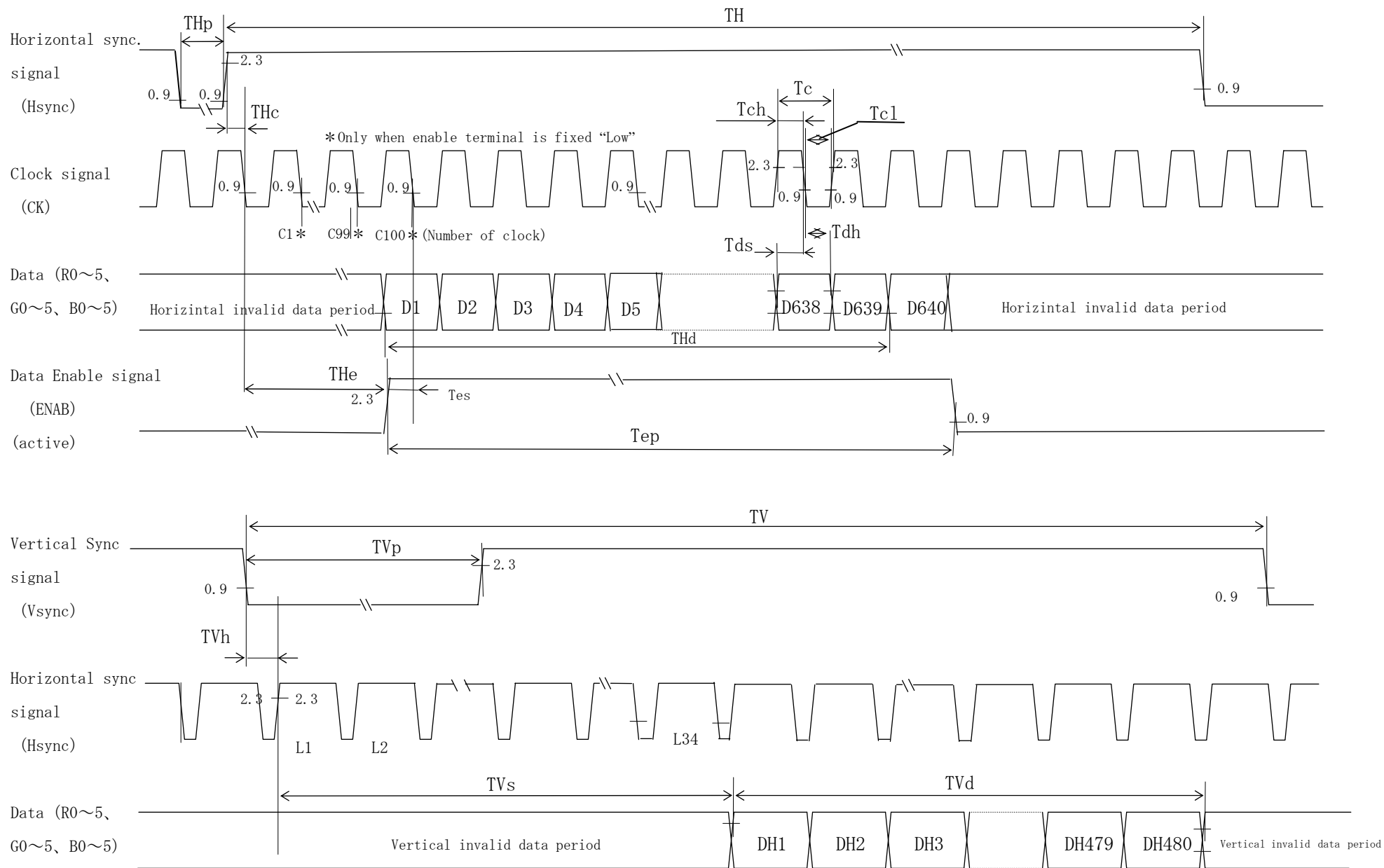


Fig 2. Input signal waveforms

8. Input Signals, Basic Display Colors and Gray Scale of Each Color

	Colors & Gray scale	Data signal																		
		Gray Scale	R0	R1	R2	R3	R4	R5	G0	G1	G2	G3	G4	G5	B0	B1	B2	B3	B4	B5
Basic Color	Black	—	0	0	0	0	0	0	0	0	0	0	0	0	0	0	0	0	0	0
	Blue	—	0	0	0	0	0	0	0	0	0	0	0	0	1	1	1	1	1	1
	Green	—	0	0	0	0	0	0	1	1	1	1	1	1	0	0	0	0	0	0
	Cyan	—	0	0	0	0	0	0	1	1	1	1	1	1	1	1	1	1	1	1
	Red	—	1	1	1	1	1	1	0	0	0	0	0	0	0	0	0	0	0	0
	Magenta	—	1	1	1	1	1	1	0	0	0	0	0	0	1	1	1	1	1	1
	Yellow	—	1	1	1	1	1	1	1	1	1	1	1	1	0	0	0	0	0	0
	White	—	1	1	1	1	1	1	1	1	1	1	1	1	1	1	1	1	1	1
Gray Scale of Red	Black	GS0	0	0	0	0	0	0	0	0	0	0	0	0	0	0	0	0	0	0
	↑	GS1	1	0	0	0	0	0	0	0	0	0	0	0	0	0	0	0	0	0
	Darker	GS2	0	1	0	0	0	0	0	0	0	0	0	0	0	0	0	0	0	0
	↑	↓				↓					↓						↓			
	↓	↓				↓					↓						↓			
	Brighter	GS61	1	0	1	1	1	1	0	0	0	0	0	0	0	0	0	0	0	0
	↓	GS62	0	1	1	1	1	1	0	0	0	0	0	0	0	0	0	0	0	0
Red	GS63	1	1	1	1	1	1	0	0	0	0	0	0	0	0	0	0	0	0	
Gray Scale of Green	Black	GS0	0	0	0	0	0	0	0	0	0	0	0	0	0	0	0	0	0	0
	↑	GS1	0	0	0	0	0	0	1	0	0	0	0	0	0	0	0	0	0	0
	Darker	GS2	0	0	0	0	0	0	0	1	0	0	0	0	0	0	0	0	0	0
	↑	↓				↓					↓						↓			
	↓	↓				↓					↓						↓			
	Brighter	GS61	0	0	0	0	0	0	1	0	1	1	1	1	0	0	0	0	0	0
	↓	GS62	0	0	0	0	0	0	0	1	1	1	1	1	0	0	0	0	0	0
Green	GS63	0	0	0	0	0	0	1	1	1	1	1	1	0	0	0	0	0	0	
Gray Scale of Blue	Black	GS0	0	0	0	0	0	0	0	0	0	0	0	0	0	0	0	0	0	0
	↑	GS1	0	0	0	0	0	0	0	0	0	0	0	1	0	0	0	0	0	0
	Darker	GS2	0	0	0	0	0	0	0	0	0	0	0	0	0	1	0	0	0	0
	↑	↓				↓					↓						↓			
	↓	↓				↓					↓						↓			
	Brighter	GS61	0	0	0	0	0	0	0	0	0	0	0	0	1	0	1	1	1	1
	↓	GS62	0	0	0	0	0	0	0	0	0	0	0	0	0	1	1	1	1	1
Blue	GS63	0	0	0	0	0	0	0	0	0	0	0	0	1	1	1	1	1	1	

0: Low level voltage, 1: High level voltage

Each basic color can be displayed in 64 gray scales from 6 bit data signals. According to the combination of total 18 bit data signals, the 262,144-color display can be achieved on the screen.

9. Optical Specification

Ta=25°C, Vcc=+3.3V

Parameter	Symbol	Condition	Min.	Typ.	Max.	Unit	Remark	
Viewing Range	Horizontal	θ_{21}, θ_{22}	CR \geq 5	(60)	(65)	—	° (Deg.)	【Note9-1,4】
	Vertical	θ_{11}		(35)	(40)	—	° (Deg.)	
		θ_{12}		(60)	(65)	—	° (Deg.)	
Contrast ratio	CR max	Best viewing	(200)	(400)	—	—	【Note9-2】	
Response time	Rise	Tr	$\theta = 0^\circ$	—	(8)	(20)	ms	【Note9-3】
	Fall	Td		—	(21)	(40)	ms	
Chromaticity of white	x	IL=5mArms	TBD	TBD	TBD	—	【Note9-4】	
	y		TBD	TBD	TBD	—		
Luminance	Y		—	(430)	—	cd/m ²		

Lamp test in the module is made with the inverter type HIU-288(22pF) at 50kHz
 The optical specifications are measured 30 minute after turning lamp on and in a dark room or equivalent condition, according to the method shown in Fig.9-1, 2 below.

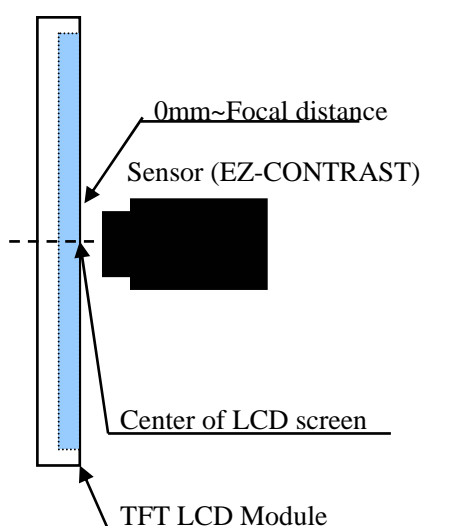


Fig.9-1 Measuring setup for
Viewing angle and Contrast ratio
(BM-7 is used for contrast.)

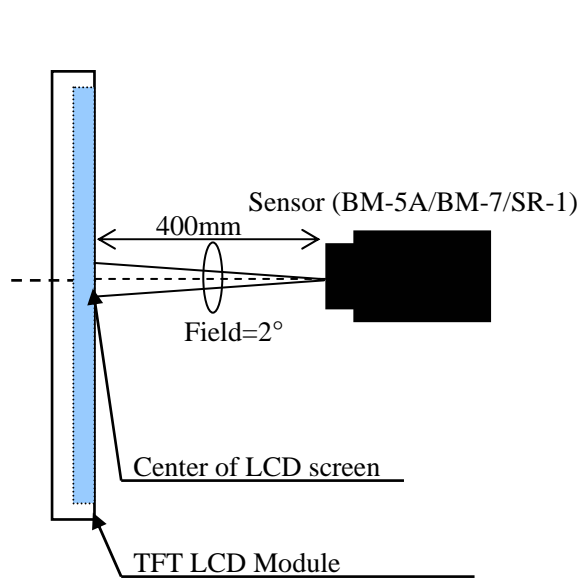
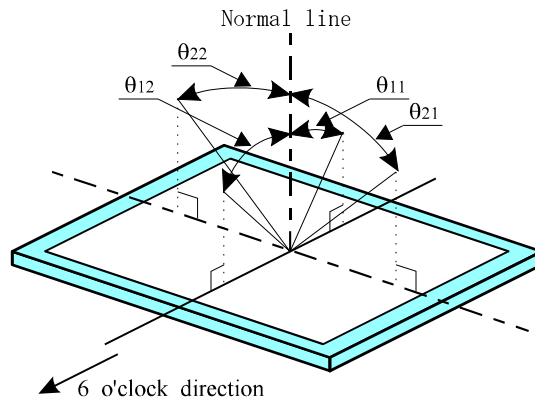


Fig.9-2 Measuring setup for
Luminance, Chromaticity
and Response time
(BM-7 is used for Luminance,
SR-1 is for response)

【Note9-1】 Definitions of viewing angle range:



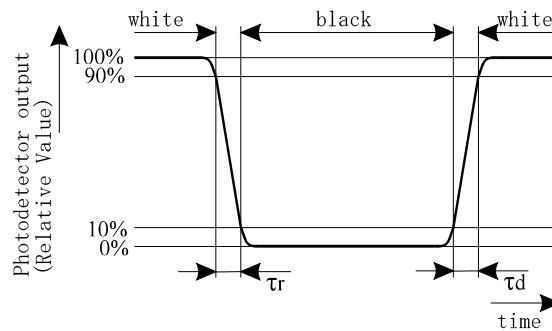
【Note9-2】 Definition of contrast ratio:

The contrast ratio is defined as the following.

$$\text{Contrast Ratio (CR)} = \frac{\text{Luminance (brightness) with all pixels white}}{\text{Luminance (brightness) with all pixels black}}$$

【Note9-3】 Definition of response time:

The response time is defined as the following figure and shall be measured by switching the input signal between "black" and "white" alternatively.



【Note9-4】 This parameter should be measured at the center of the screen and 30 minutes after turn-on.

Inverter frequency: 50 kHz

The characteristics are measured when the driver circuit is not powered.

10. Display Qualities

Please refer to the Outgoing Inspection Standard.

11. Handling Instruction

11.1 Assembling the module

- 1)
 - In this module, the contact of the front shield case and the back is not always contact electrically each other.
 - The front shield case and the back touches at the point “A” hole perfectly, when this module is mounted to the unit of customer.
 - Therefore, please fix the mounting hole in the same plane in the case of the module installation, so that stress such as bow and crook may not be added to the module.
 - To ensure the electric contact of the front shield case and the back, please fasten the mounting hole "A" of figure.1 surely, when you mount this module to the customer's set.
- 2) Connection/disconnection of the module's input connector shall be made while power is off.
- 3) Make sure to connect module's metal shield case to GND of inverter circuit. If its connection is not made perfectly, some of the following problems may occur.
 - a) Increase of noise caused by backlight
 - b) Unstable output from inverter circuit
 - c) Possibly over-heat in some section

11.2 Instruction for assembling

Since the front polarizer is easily damaged, pay attention to avoid rubbing with something hard or sharp. A protective film “Laminator” is attached on the module screen to avoid scratch and/or dust.

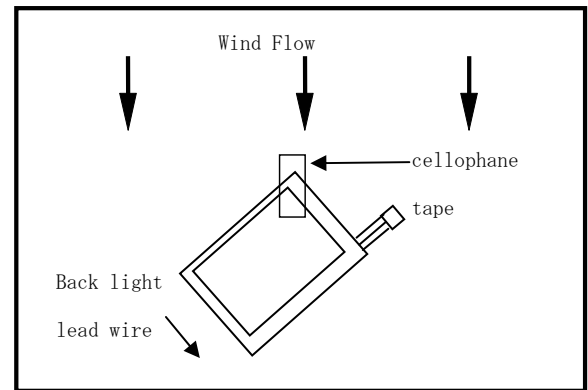
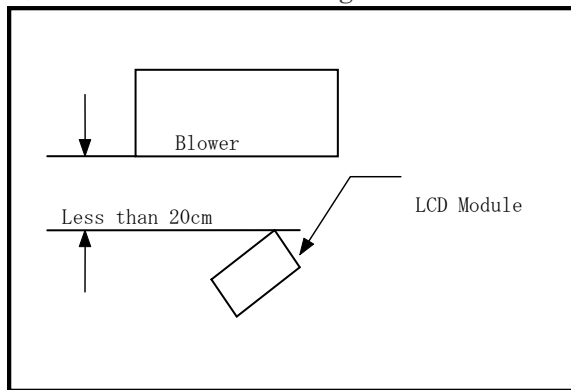
You are recommended remove the “Laminator” just before you embed the module into your products, paying attention to avoid electrostatic damage as followings.

A) Work Environment

Since removing laminator may causes electrostatic charge that tends to attract dust, the following work environment would be desired.

- a) Floor: Conductive treatment having $1M\Omega$ resistance onto floor's tile
- b) The room free from dust coming from outdoor environment, and put an adhesive mat at entrances
- c) Humidity from 50% to 70% and temperature from 15°C to 27°C are desirable.
- d) Worker should ware conductive shoes, conductive fatigue, conductive glove and earth wrist band.

B) Instruction for working



- a) Wind direction of an electrostatic discharging blower should slightly downward to properly blow the module. The distance between the blower and the module should be less than 20cm. Also, pay attention to the direction of the module. [See the above]
- b) To prevent polarizer from scratching, adhesive tape (cellophane tape) should be stuck at the part of laminator sheet, which is closed to blower. [See the above]
- c) Pull slowly adhesive tape to peel the laminator off, with spending more than 5 second.
- d) The module without laminator should be moved to the next process to prevent dust.
- e) How to eliminate dust on polarizer.

Blow dust away by N₂ blower having measures of electrostatics

Since the front polarizer is easily damaged, wiping dust off is not adequate.

If the polarizer is soiled, it is suggested to peel dust off by using adhesive surface of adhesive tape.

When the metal section [shield case or shield back case] is soiled, wipe it off with dry and soft cloth. If not so easy, breathe upon it then wipe off. If the water droplet or fat is left for long term, it may cause stain or tarnish, it should be wipe off immediately.

Since TFT-LCD panel is made of glass substrate, dropping the panel or banging it against hard objects may cause cracking or fragmentation.

Since CMOS LSIs are incorporated in this module, please pay special care to electrostatic while handling it, and earth human body.

11.3 Caution in product design

The notes and cautions below should be followed when product is designed with this module.

The module should be protected with cover to prevent salt content and/or water droplet.

Take enough shielding countermeasure not to interfere to peripheral electronic device.

11.4 Others

The LCD has the nature that its performance is degradation by ultra-violet light. Don't leave the LCD module in direct sunlight or strong ultra violet ray.

If stored at the temperatures lower than the rated storage temperature, the LC may freeze and it may cause LCD panel damage. If storage temperature exceeds the specified rating, the molecular orientation of the LC may change to that of a liquid, and they may not revert to their original state. Store the module in normal room temperature.

The inductive loss caused by routing of lamp lead wire, which is closed to conductive section, may require the kick-off voltage greater than specified kick-off voltage.

The liquid crystal may leak out when the LCD is broken. If the liquid crystal drip into the eyes or mouth washes it out immediately.

The caution to other ordinal electronic component should be followed also.

13. Packing Form

13.1 Fig.3 shows packaging form. (TBD)

13.2 Carton stock conditions

- a) Maximum number of Carton being stuck : 8
- b) Maximum number of product contained : 20 Unit
- c) Carton size : 495mm (W) x 329mm (H) x 218mm (D)
- d) Total mass (for 20Unit) : Approximately 7kg
- e) Carton stock environment:
 - 1) Temperature : 0 ~ 40°C
 - 2) Humidity : Up to 60%RH
 - 3) Ambiance : No gases bite into electronic components and wiring materials
 - 4) Period : Approximately 3month
 - 5) Unpacking : To prevent LCD module from damaging by ESD, unpack the module with effective measure after controlling humidity 50%RH or more.

14. Marking of product name

14.1 Serial No. indication

Serial No. is indicated by labeling. The location is given in Fig.1 Outline dimension.

Indicated contents :

LQ057V3DG01	XXXXXXXXXX
--------------------	-------------------

Model name Serial No.

Serial No. contents :

- | | |
|------------------|--|
| 1st digit : | last digit of produced year (ex. 2004 → "4") |
| 2nd digit : | Produced month 1, 2, 3 ~ 9, X, Y, Z |
| 3rd ~ 8th digit: | Sequential number 000001 ~ |
| 9th digit : | Interoffice control code |

15. Miscellaneous

- a) Variable resistor has been set optimally before shipment, so do not change any adjusted value. If adjusted value is changed, the specification may be not satisfied.
- b) Don't disassemble this module, it may cause malfunction.
- c) Image retention may occur when the fixed image is display for long time.

16. Reliability Test Items

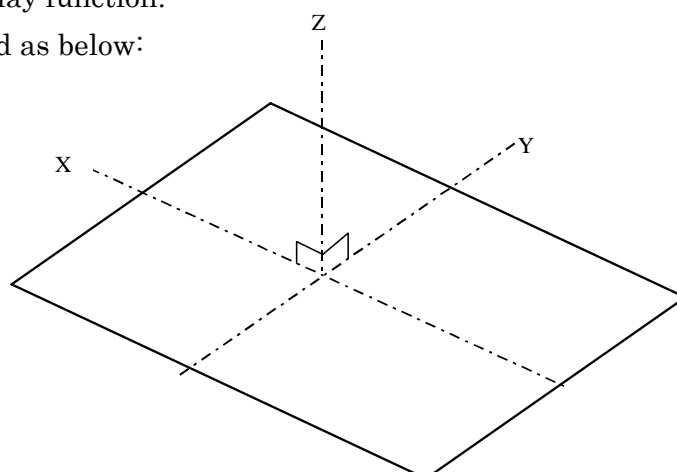
Note: The condition of temperature is the operation temperature given in Absolute maximum rating.

No.	Test parameter	Conditions
1	High temperature storage test	Leaves the module at Ta=80°C for 240h
2	Low temperature storage test	Leaves the module at Ta=-30°C for 240h
3	High temperature & high humidity operation test	Operates the module at Ta=40°C; 90~95%RH for 240h (No condensation)
4	High temperature operation test	Operates the module with +80°C at panel surface for 240h
5	Low temperature operation test	Operates the module at Ta=-30°C for 240h
6	Strength against ESD	±200V·200pF [0Ω] one time for each terminal
7	Shock test (non- operating)	Max. acceleration : 980m/s ² Pulse width : 6ms, half sine wave Direction : ±X,±Y,±Z once for each direction.
8	Vibration test (non- operating)	Frequency : 10~57Hz/Vibration width (one side):0.15mm : 58~500Hz/ acceleration:19.6m/s ² Sweep time : 6 minutes Test period : 3 hours (1 hour for each direction of X,Y,Z)
9	Thermal shock test	-30°C ~ +80°C /50 cycle [0.5h] [0.5h]

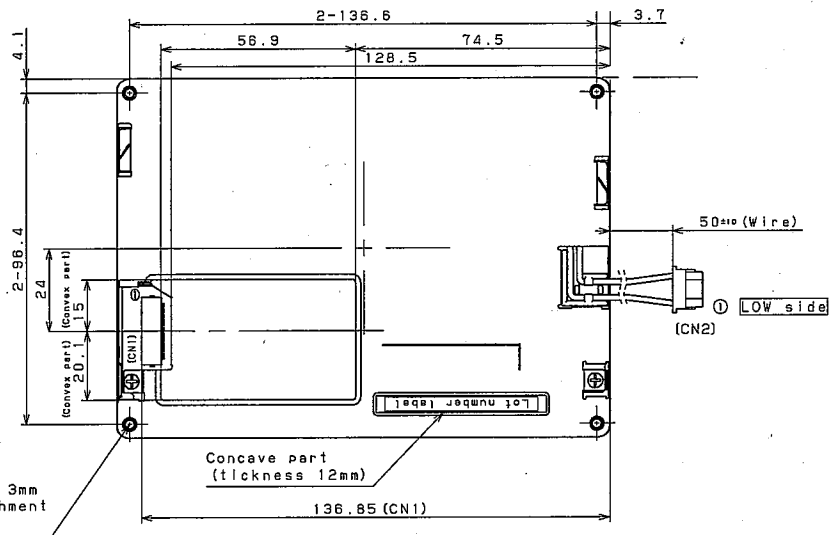
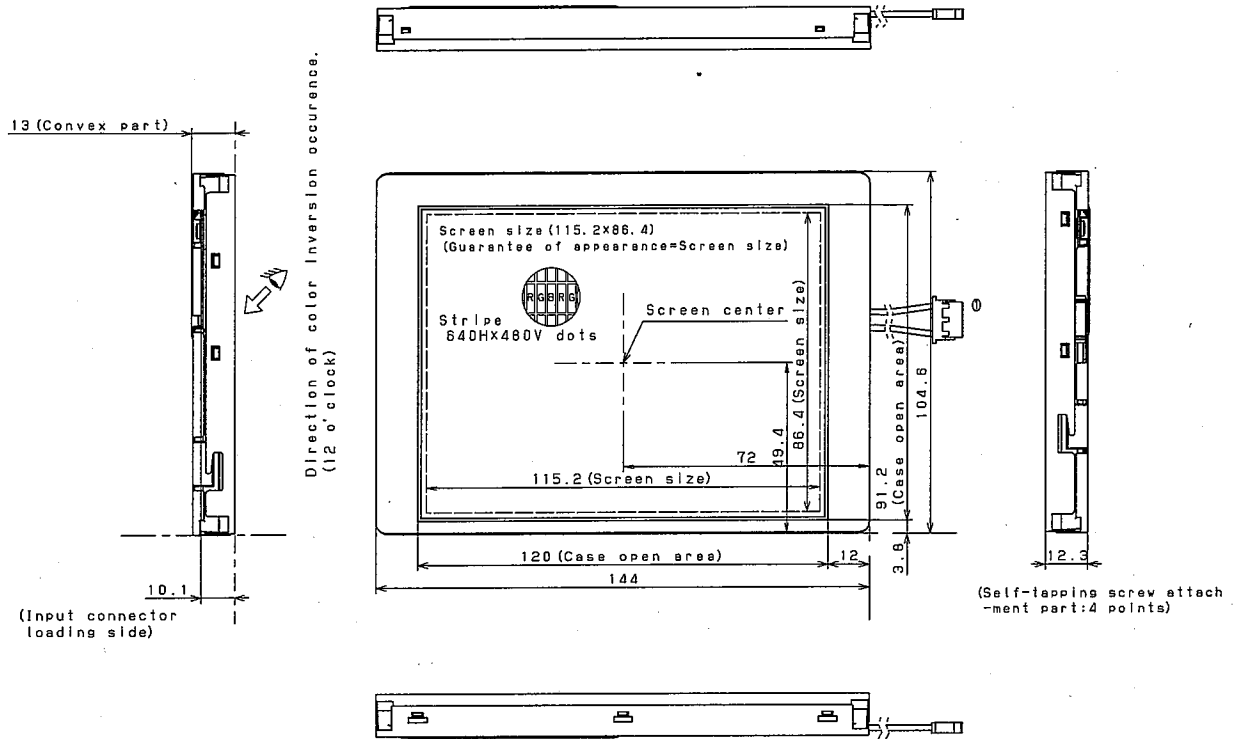
【Result Evaluation Criteria】

Under the display quality test conditions with normal operation state, these shall be no change which may affect practical display function.

【Note】 The directions of X, Y, Z are defined as below:



SHARP



① Input terminal arrangement

GND	CK	Hsync	Vsync	GND	R0	R1	R2	R3	R4	R5	GND	G0	G1	G2	G3	G4	G5	GND	B0	B1	B2	B3	B4	B5	GND	ENAB	Vcc	Vcc	REV	GND	DTSP	GND
-----	----	-------	-------	-----	----	----	----	----	----	----	-----	----	----	----	----	----	----	-----	----	----	----	----	----	----	-----	------	-----	-----	-----	-----	------	-----

- 1) Take care in set design to hide the scratches and bubbles appeared on the polarizer or other flame area which is located outside of active area.
- 2) CN1:I/O connector is FH12-33S-0.5SH (55) (HIROSE)
CN2:CCFT connector is BHR-03VS-1 (JST)
- 3) The whole curvature is not included thickness direction.
- 4) Recommendation screw is normal size 3mm tapping amount of invasion 5mm.
- 5) General tolerance is ±0.5mm.

unit:mm

Please do not copy this material and do not disclose this to third party.

DATE	2006.10.18	free	△			
MODEL	LQ057V3DG01		△			
DRAWING NO	LCM1-0631A	size A2	No.	DATE	REVISION	Sign.
			SHARP CO. LTD		ENGINEERING DEPARTMENT 1 MOBILE LCD DESIGN CENTER MOBILE LIQUID CRYSTAL GROUP 1.	

Fig.1 Outline Dimensions