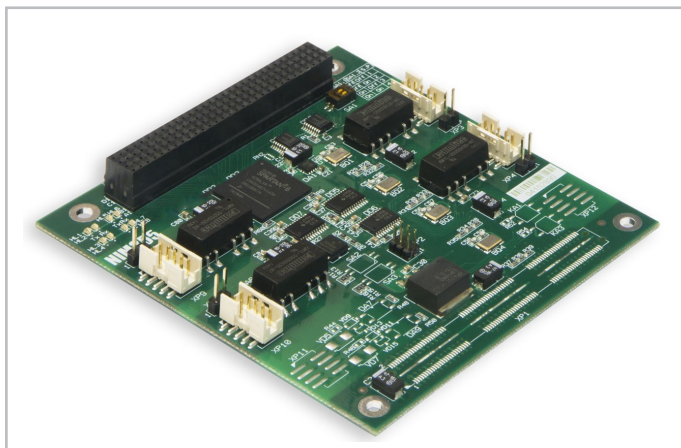


# NIM355

## StackPC-PCI Interface Module



### Overview

NIM355 Interface Module is implemented in accordance with the StackPC-PCI standard and is designed for the use in embedded systems with CAN networks and represents a 4-channel CAN-interface module, which makes it possible to additionally connect up to 4 digital I/O lines and 4 digital output lines.

### Features

- PCI System Bus: 32 bit/33 MHz
- 4×CAN channels, 4×Digital Input Channels, 4×Digital Output Channels
- Compatibility with OS: Windows XPe, Linux 2.6.x, QNX 6.5
- Dimensions: no more than 90,2×95,9×23,5 mm
- Weight: no more than 120 g.
- Operating temperature range: -40...+85°C
- Power supply: power supply voltage of +5 V ± 5%, and current consumption: no more than 300 mA
- MTBF: no less than 170 000 hours

### Technical Specifications

#### PCI System Bus

- 32 bit/33 MHz

#### CAN Channels

- Number of channels: 4
- Type of CAN controller: PHILIPS SJA 1000T
- Protocol specification: 2.0A (standard-frame, 11-bit ID) and 2.0B (extended-frame, 29-bit ID)
- Clock frequency of controllers: 16 MHz
- Transfer rate: up to 1 Mb/sec
- Galvanic insulation of channels: up to 2500 V DC

#### Digital Input Channels

- Number of channels: 4
- Output voltage: 24V
- Logical 1 level: from 16 V to 30 V
- Logical 0 level: from 0 to 5,5 V
- Intensity of input current: ≤ 10 mA, at input voltage of 24 V
- Galvanic insulation of channels: up to 500 V
- There are pulse interference blanking elements (for impulse interference exceeding 30 V) between input lines of each channel

#### Digital Output Channels

- Number of channels: 4
- Type of channel output: potential-free contact
- Maximum switching current level: up to 48 V
- Maximum switching current intensity in each channel: up to 0.6 A
- Galvanic insulation of channels: up to 500 V
- There are pulse interference blanking elements (for impulse interference exceeding 48 V) between input lines of each channel.

#### Power

- Power supply voltage: +5 V ± 5%
- Maximum current: no more than 4 A
- Current consumption: no more than 300 mA

#### Operating temperature range

- -40...+85°C

#### Dimensions

- No more than 90,2×95,9×23,5 mm.

#### Module weight

- No more than 120 g

#### Software compatibility

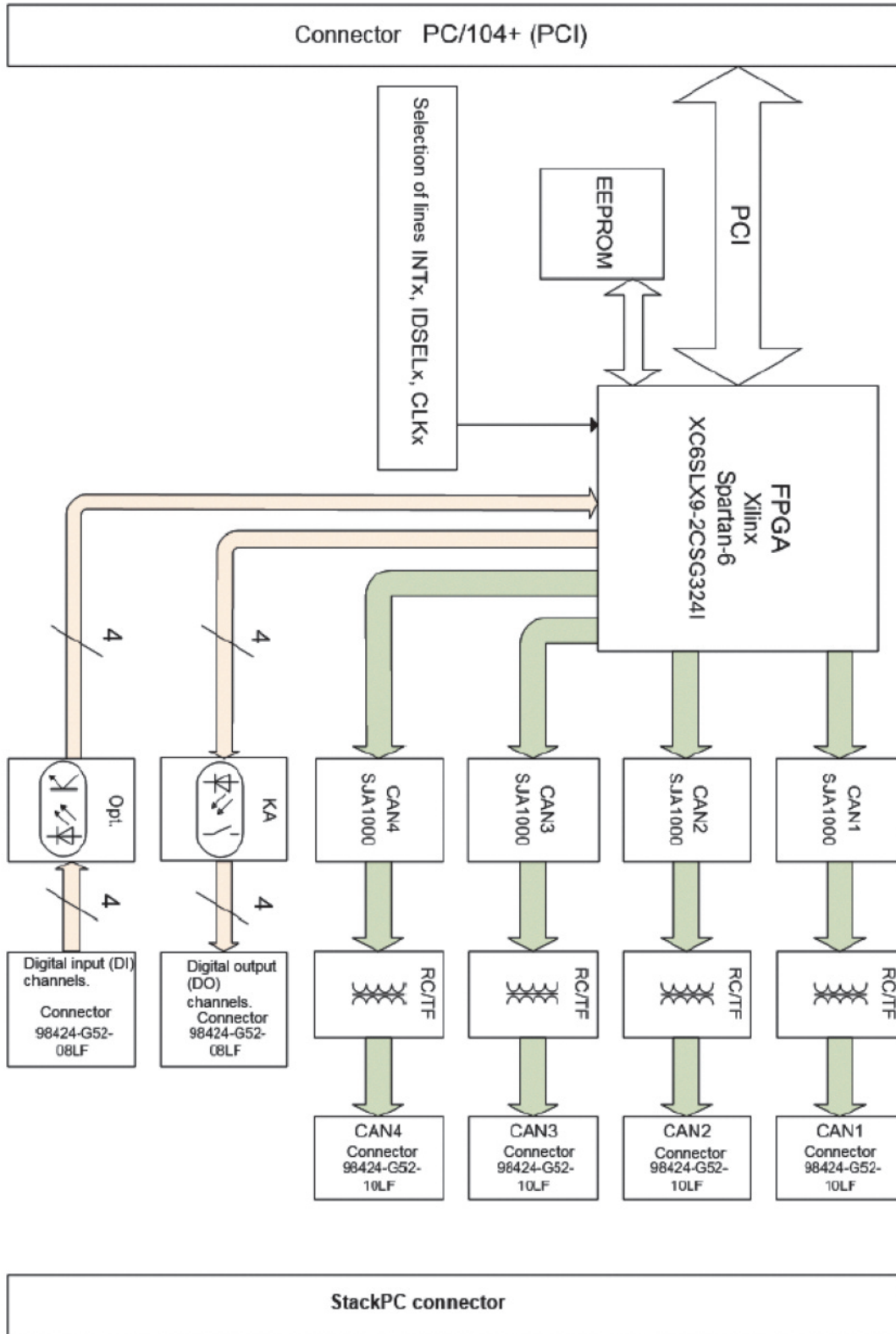
- Windows XPe
- Linux 2.6.x
- QNX 6.5

#### MTBF

- No less than 170 000 hours



### Board Layout



# NIM355

## StackPC-PCI Interface Module

### Ordering Information

### NIM355 Configuration

#### NIM355 - 01 \ Option

##### Configurations

- |           |   |
|-----------|---|
| NIM355-01 | 4×CAN, 4×DI, 4×DO.<br>The module contains a full set of interfaces and functional elements  |
| NIM355-02 | 4×CAN.<br>Module's version has no digital input and output, as well as no StackPC connector |

##### Options

- |          |                   |
|----------|-------------------|
| \ COATED | Conformal coating |
|----------|-------------------|

### Delivery checklist

#### NIM355 delivery checklist contains:

1. NIM355 Interface Module
2. Package

### Corporate Offices

#### FASTWEL GROUP Co. Ltd

108 Profsoyuznaya str.  
Moscow, Russia 117437  
Tel: +7 (495) 232-1681  
Fax: +7 (495) 232-1654  
E-mail: info@fastwel.com  
Web: www.fastwel.com

#### FASTWEL Corporation US

Fastwel Corporation US  
6108 Avenida Encinas,  
Suite B, Carlsbad,  
CA 92011.  
Phone: 858-488-3663  
E-mail: info@fastwel.com



ISO 9001:2008  
EC.C.0.02.01.000823-12



READY FOR

RoHS

Ver.1.11.2015  
Product specifications are subject to change without notice



Fastwel



Fastwel



Fastwel